



Specifications Data

Out-Board Drive Mount Assembly

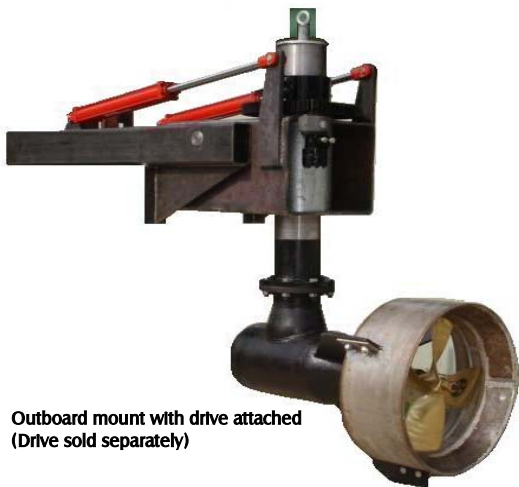


Features:

- Tough-Durable Proven Design
- Compact, Easy to install
- Outstanding Reliability - No Gear Boxes or transmissions to worry about
- Use existing hydraulics or install new
- Through bolt frame for portability
- Corrosion Resistant
- Tilt-able drive (to near 90°)
- Dual tilt cylinders (3000psi each)
- Adjustable Drive Depth
- Multiple Horsepower Ranges
- Link-able steering for multiple drives
- 5 Year Materials and Workmanship



Outboard mount with drive attached
(Drive sold separately)



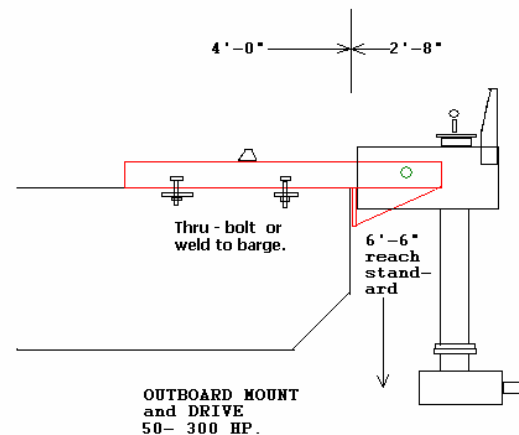
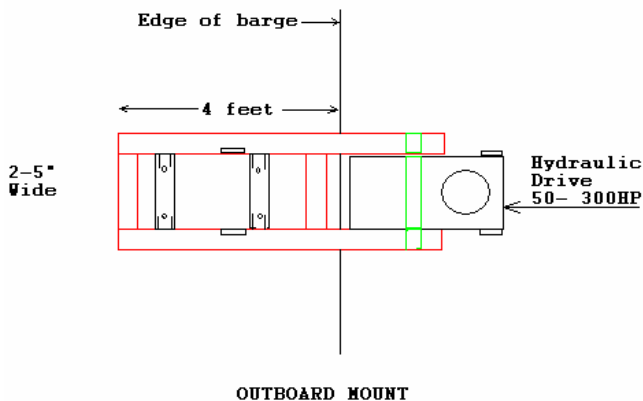
Outboard mount with drive attached
(Drive sold separately)

Specifications:

- Sch. 80 - 1/2" thick pipe used throughout
- 1/2" & 1" plate construction
- 3/8" thick 4x8" Tube Frame (re-enforced)
- Hot-Dip Galvanized Frame and Down-Tube
- 1/2" Thick Ultra High Density Polyethylene Bushings
- Precision-machined fit on parts
- Dry weight - 1200 lbs. (excluding drive)

Available Options:

- Drives: 50-125hp / 130-175hp / 200-300hp
- Gear to gear steering (180°)



**HYDRAULIC MARINE
SYSTEMS, INC.**

www.hydraulicmarinesystems.com

207A OLD DAYTONA ROAD
DELAND, FL 32724
ph: 386-734-0020 fax: 386-734-0021
Toll Free: 877-734-0020