



Model 2216 Single Hydraulic Thruster

Trust Our Thrust!

Power when you need it most!

- Perkins Tier 3 Turbo Diesel Engines 50 - 175HP
- 340 Ft. lbs. Torque at Propeller, up to 640 ft. lbs. with options
- 1000 - 3500 lbs. Continuous Thrust!
- Independently controlled Tilt and Drive functions

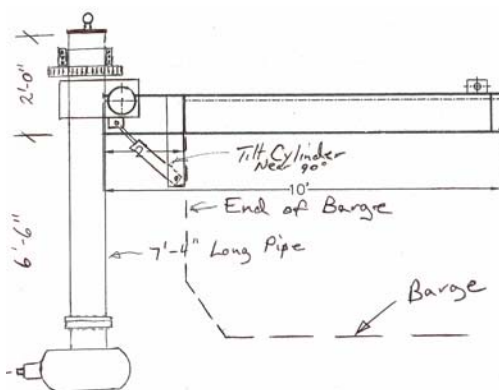
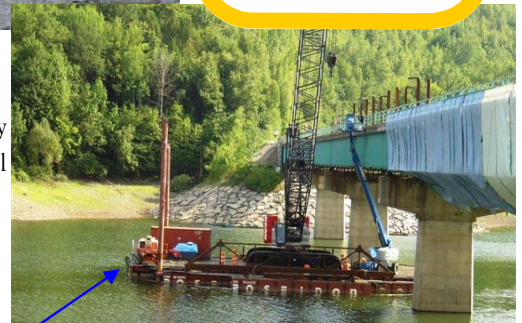


Quality when you need it to Last!

- Hot-Dip Galvanized Frames
- Stainless Steel Hardware
- Aluminum Hoods, Tanks and Helms
- Eaton or Sauer-Danfoss Heavy Duty Hydraulics
- Aero -Quip High Pressure Hoses

Power your bottom line and put your Superintendent back in control of your project! The 2216 Single Hydraulic Thruster is designed to minimize down time, maximize productivity and improve your profit margins! With less than a 30 minute set up time, this machine will put you *where* you need to be, *when* you need to be there!

The 2216 Single Hydraulic Thruster is Portable, Extremely maneuverable and Packed with Power! Its fuel efficient Tier 3 Turbo Diesel engine, combined with Heavy Duty Hydraulic components, delivers up to 340 ft. lbs. of torque at the Propeller and can do it under continuous load all day long! (The photos at right show a 100 hp single Thruster powering a sixteen float crane barge carrying two man-lifts, a 100 ton crane, generators and a Con-ex Equipment Container)



Side view

Available Options:

- Long Reach Capabilities up to 10' or more from barge deck to centerline of Drive Unit (Propeller)
- Heavy Duty models available, up to 175 HP, including Max Torque up to 640 ft. lbs. at the propeller
- Up to 3500 lbs. Thrust available with Nozzle and Kaplan Propeller
- Radio Remote Controls enabling operation from the Wheel House or other locations on the barge without wiring
- Auxiliary Hydraulic Gear Pump capability - Example: Deck winches, Hydraulic Booms or other machinery

**HYDRAULIC MARINE
SYSTEMS, INC.**
www.hydraulicmarinesystems.com

207A OLD DAYTONA ROAD
DELAND, FL 32724
ph: 386-734-0020 fax: 386-734-0021
Toll Free: 877-734-0020
Email: todd@hydraulicmarinesystems.com