



Model T2416 Twin Hydraulic Thruster



Trust Our Thrust!

Power when you need it most!

- Perkins Tier 3 Turbo Diesel Engines
175 - 225HP
- 340 - 640 Ft. lbs. Torque at Each Propeller w / options
- 4000—7000 lbs. Continuous Thrust!
- Independently controlled Drives for maneuverability

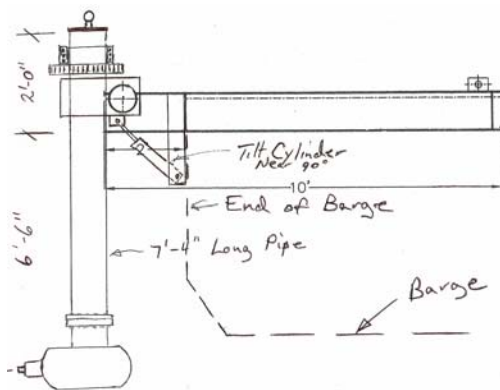


Quality when you need it to Last!

- Hot-Dip Galvanized Frames
- Stainless Steel Hardware
- Aluminum Hoods, Tanks and Helms
- Eaton or Sauer-Danfoss Heavy Duty Hydraulics
- Aero -Quip High Pressure Hoses

Power your bottom line and put your Superintendent back in control of your project! The T2416 Twin Hydraulic Thruster is designed to minimize down time, maximize productivity and improve your profit margins! With less than a 30 minute set up time, this machine will put you *where* you need to be, *when* you need to be there!

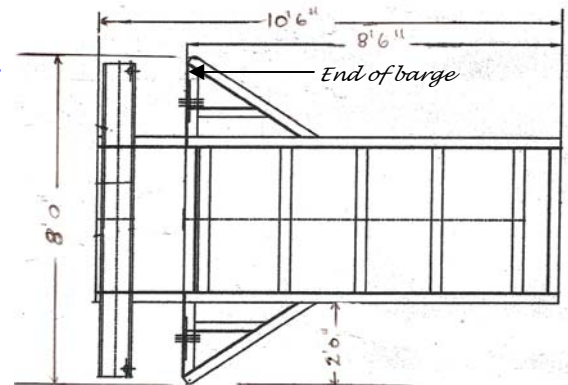
The T2416 Twin Hydraulic Thruster is Portable, Extremely maneuverable and Packed with Power! Its fuel efficient Tier 3 Turbo Diesel engine, combined with Heavy Duty Hydraulic components, delivers a minimum 340 ft. lbs. of torque at each Propeller and can do it under continuous load all day long!



Side view

Available Options:

- Long Reach Capabilities up to 10' or more from barge deck to centerline of Drive Unit (Propeller)
- Heavy Duty models available, up to 275 HP
- Max Torque up to 640 ft. lbs. at each propeller
- 7000 lbs. Thrust available with Kaplan Propellers and Nozzles
- Radio Remote Controls enabling operation from the Wheel House or other locations on the barge without wiring
- Auxiliary Hydraulic Gear Pump capability - Example: Deck winches, Hydraulic Booms or



Plan view

**HYDRAULIC MARINE
SYSTEMS, INC.**
www.hydraulicmarinesystems.com

207A OLD DAYTONA ROAD
DELAND, FL 32724
ph: 386-734-0020 fax: 386-734-0021
Toll Free: 877-734-0020
Email: todd@hydraulicmarinesystems.com